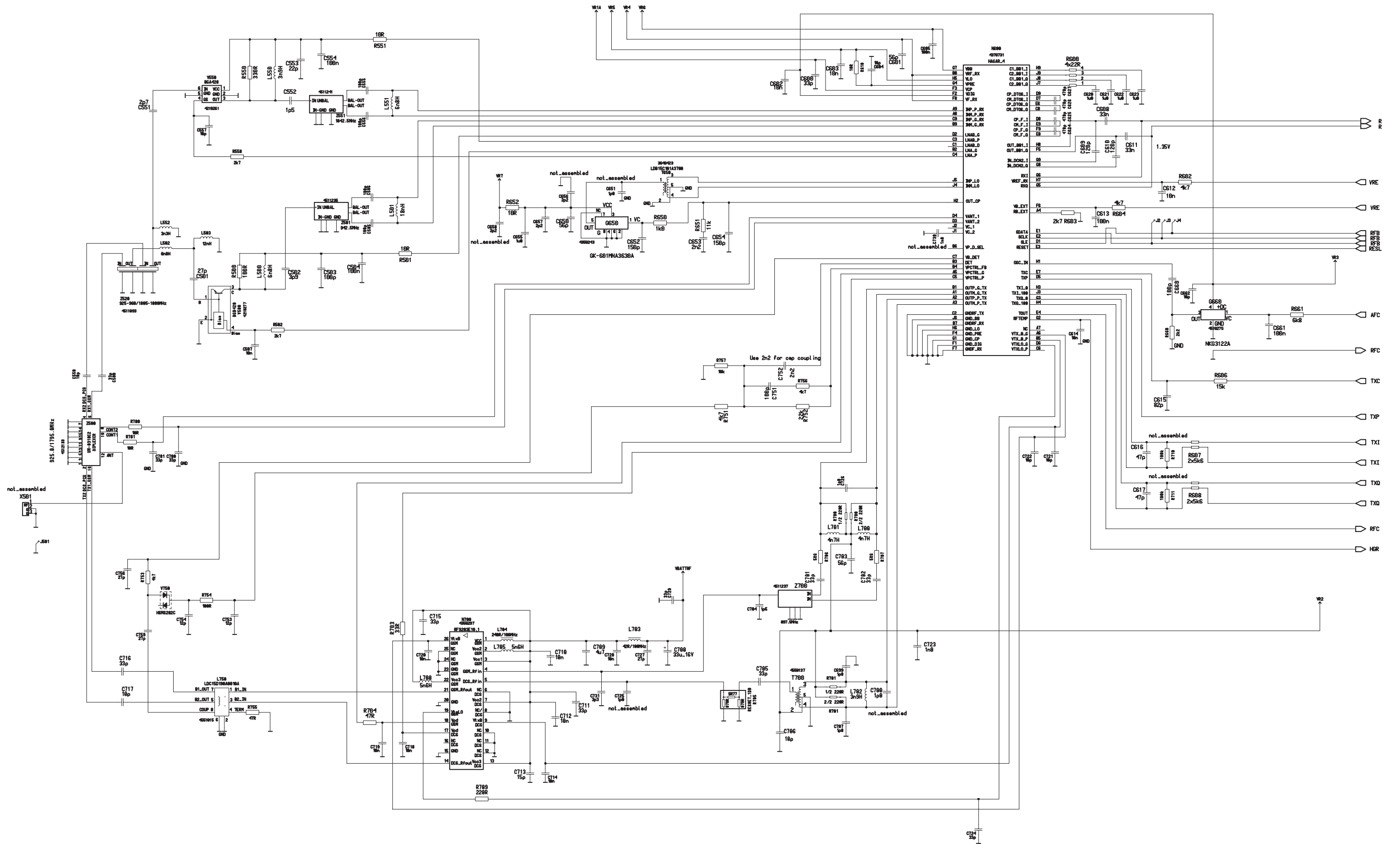
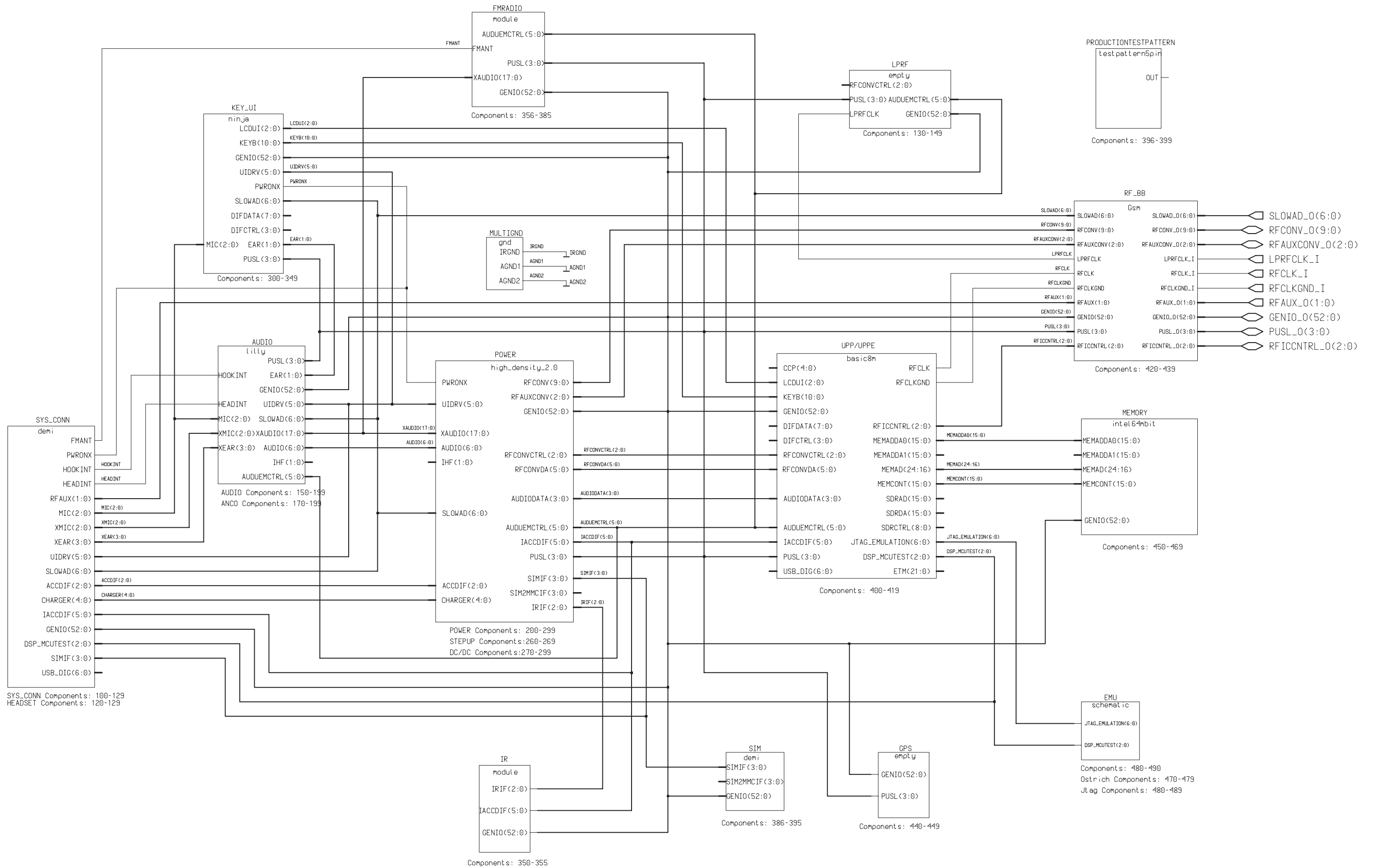


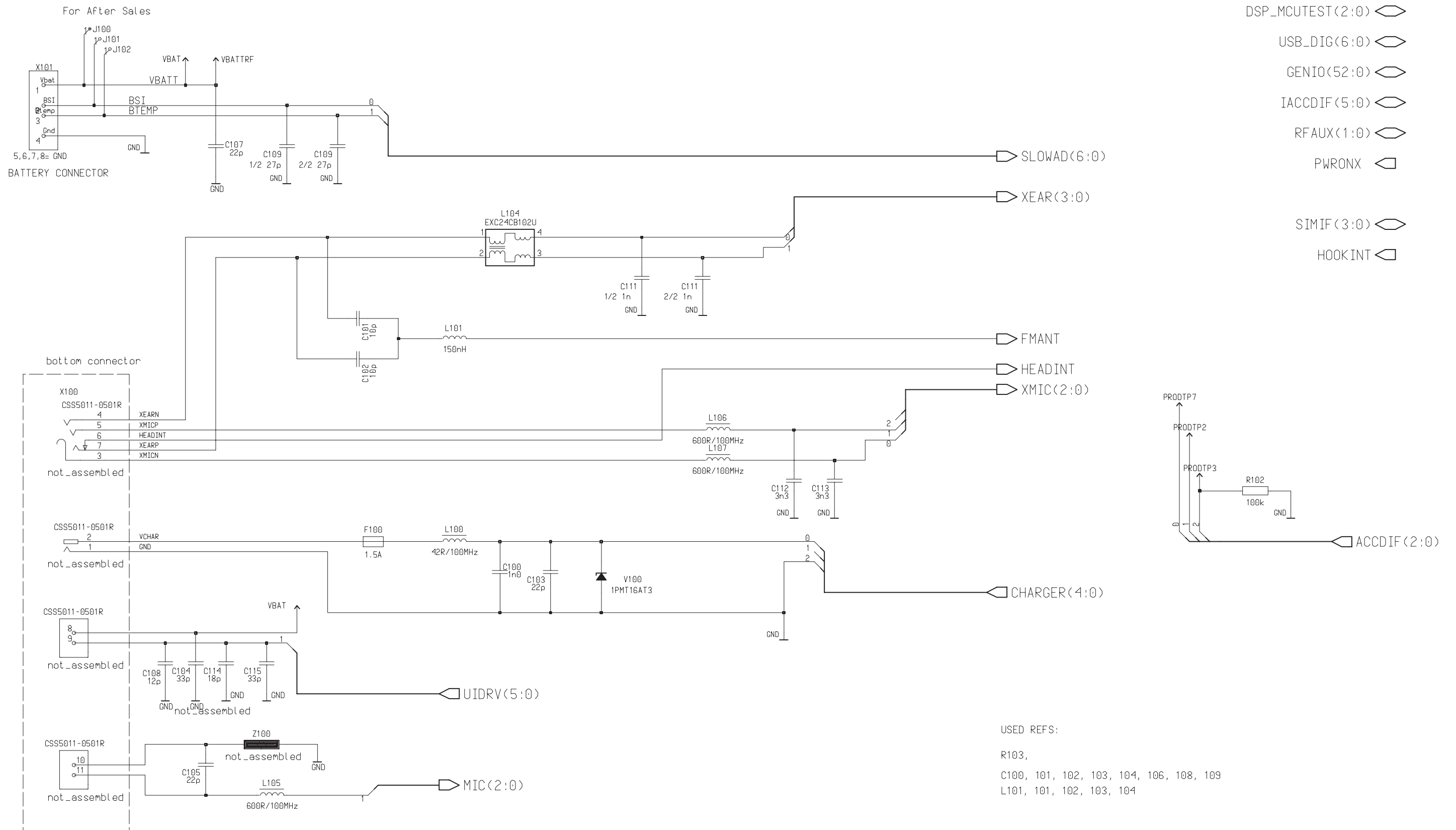
RF (Version 2.0 Edit 2) for layout version 01



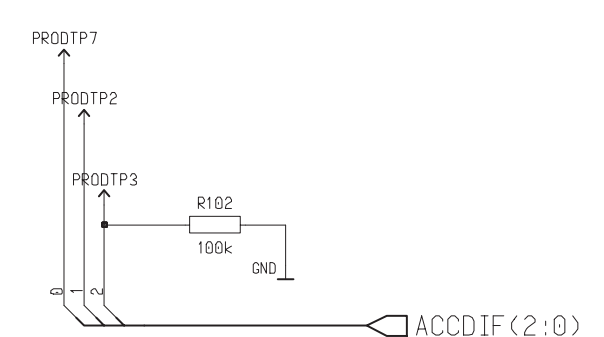
**BB Connections** (Version 0.0 Edit 4) for layout version 01



**System Connector** (Version 1.3 Edit 162) for layout version 01



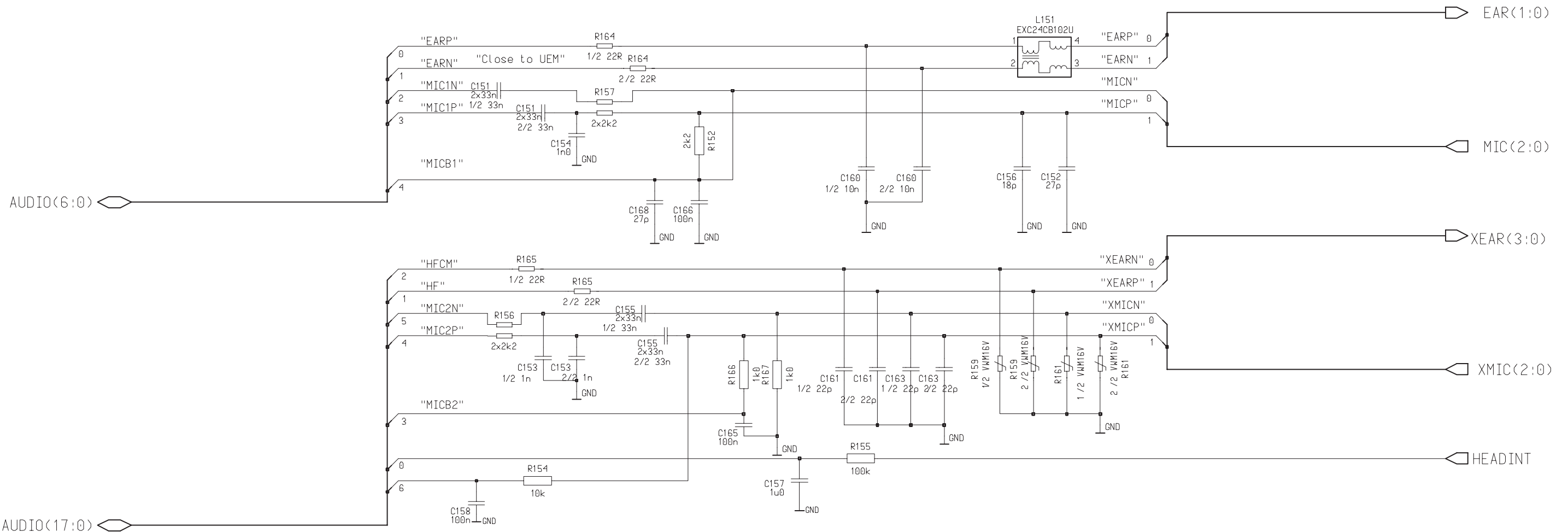
- DSP\_MCUTEST (2:0)
- USB\_DIG (6:0)
- GENIO (52:0)
- IACCDIF (5:0)
- RFAUX (1:0)
- PWRONX
- SIMIF (3:0)
- HOOKINT



USED REFS:  
R103,  
C100, 101, 102, 103, 104, 106, 108, 109  
L101, 101, 102, 103, 104

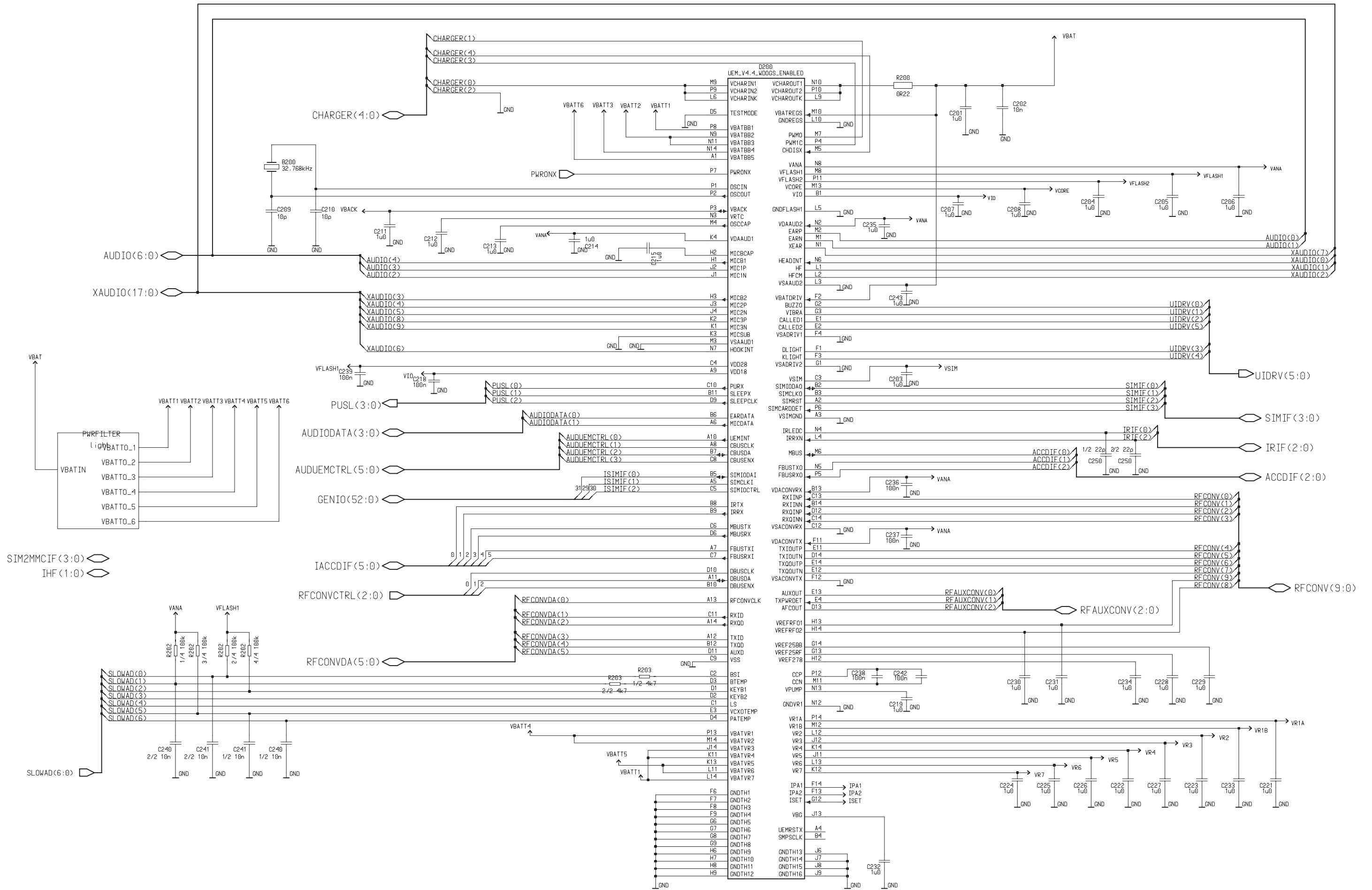
**Audio Interface** (Version 1.3 Edit 1) for layout version 01

- ◊ SLOWAD(6:0)
- ◊ GENIO(52:0)
- ◊ PUSL(3:0)
- ◊ UIDRV(5:0)
- ◊ HOOKINT
- ◊ IHF(1:0)
- ◊ AUDUEMCTRL(5:0)

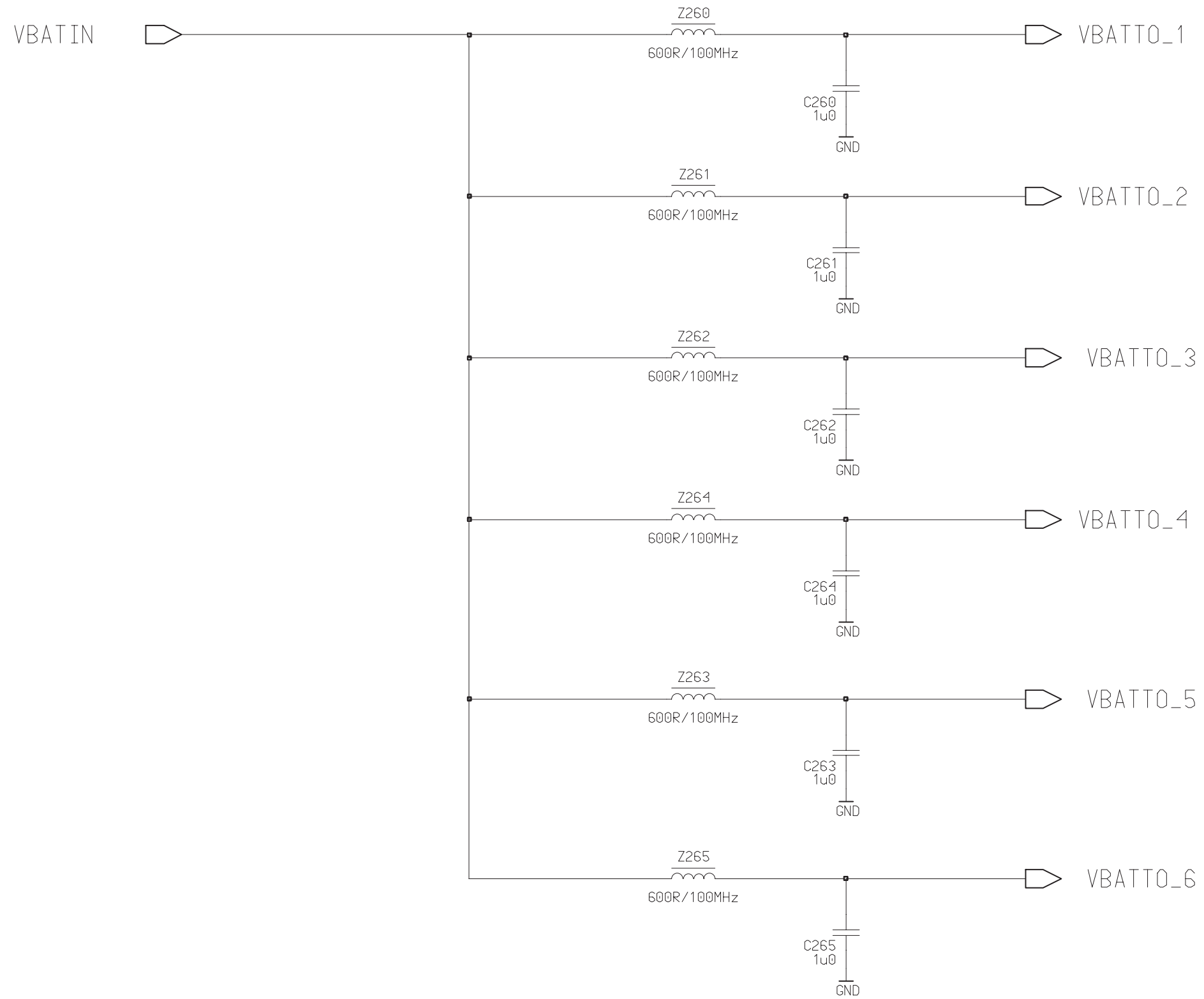


Used Ref's: C151-C153, C155- 166  
R151, 153-R160, 162, 163  
Z151-Z152

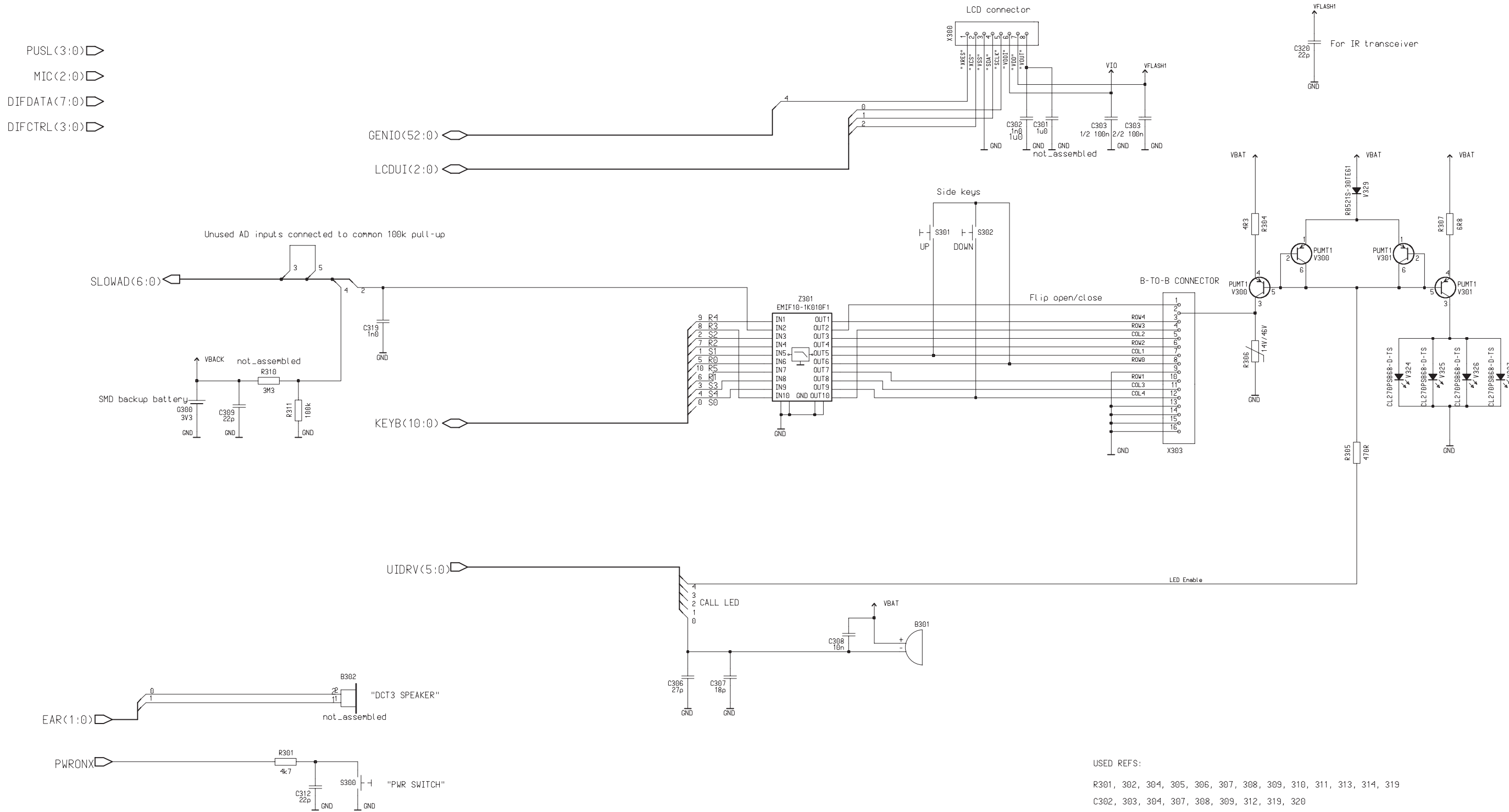
UEM of BB (Version 2.0 Edit 1) for layout version 01



Light Filtering (Version 2.0 Edit ) for layout version 01

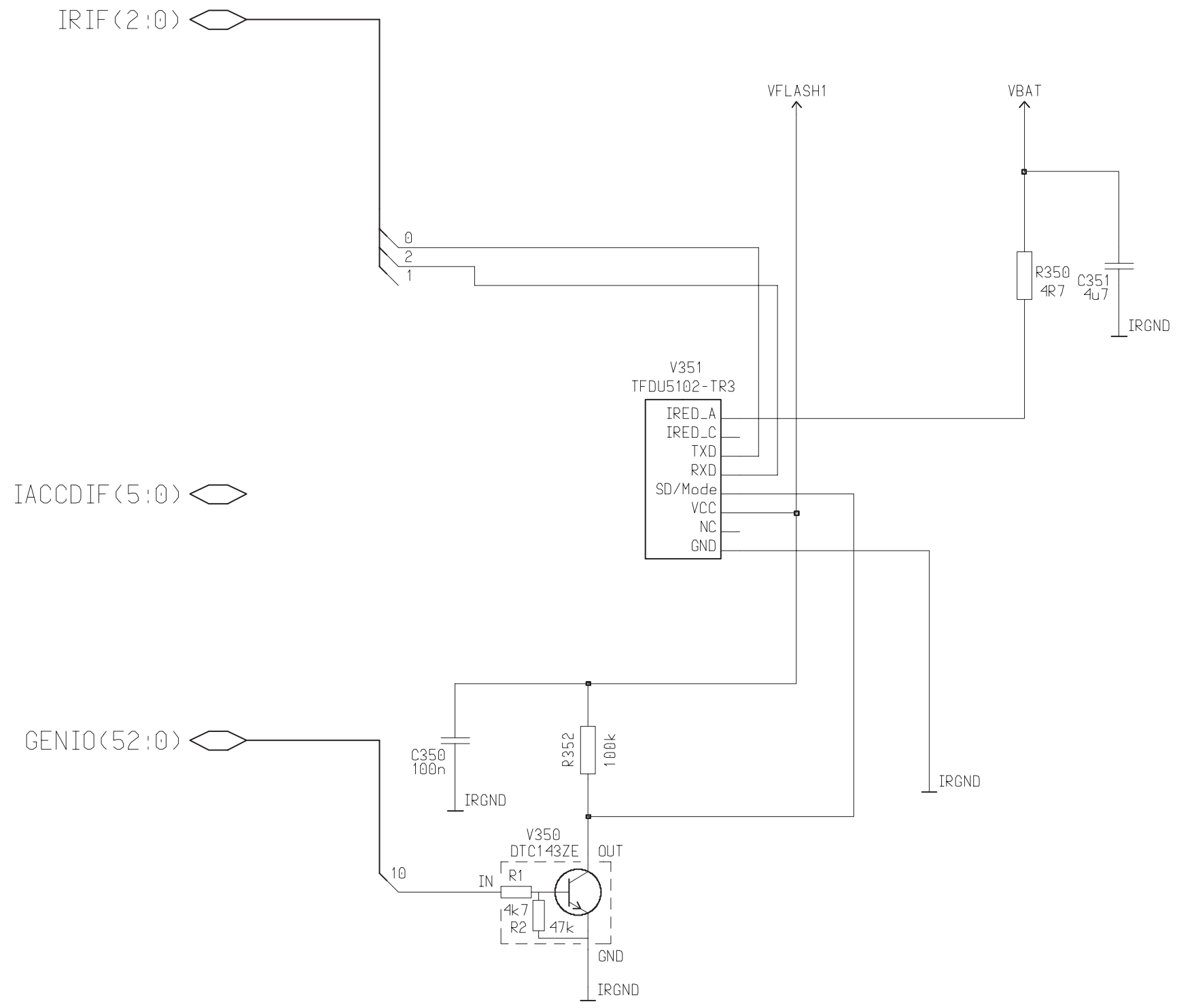


**Display and Keyboard Interface** (Version 1.3 Edit 212) for layout version 01

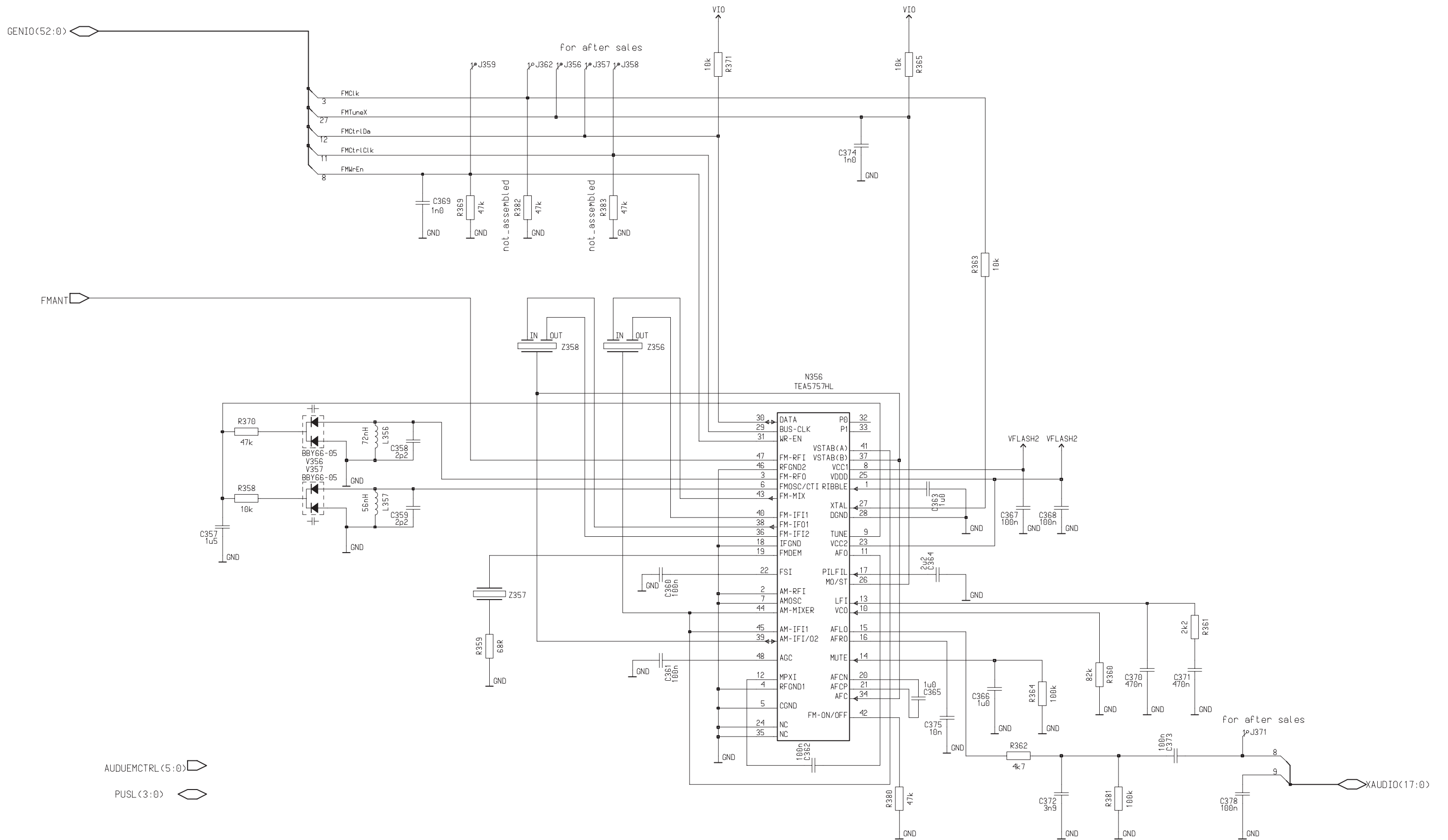




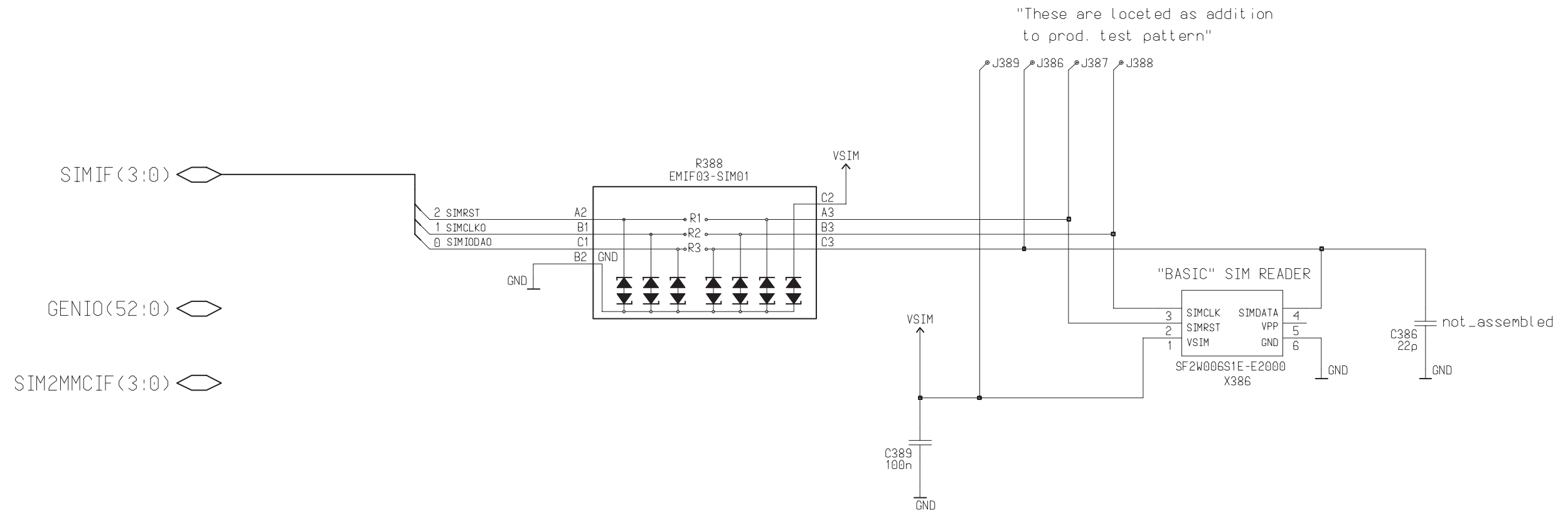
**Infrared Module** (Version 2.0 Edit 38) for layout version 01



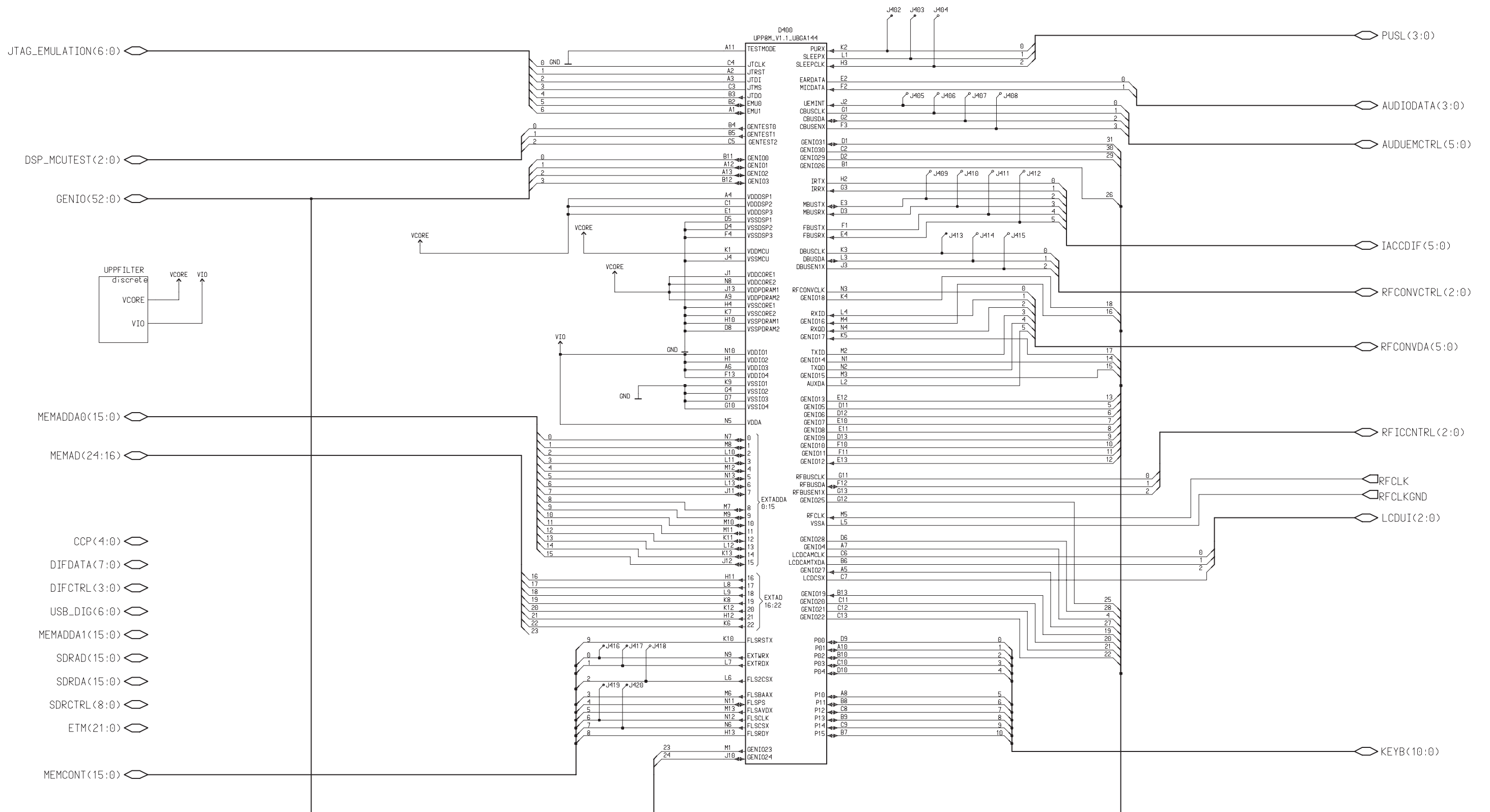
**FM Radio** (Version 1.3 Edit 110) for layout version 01



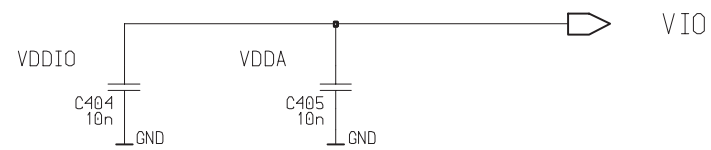
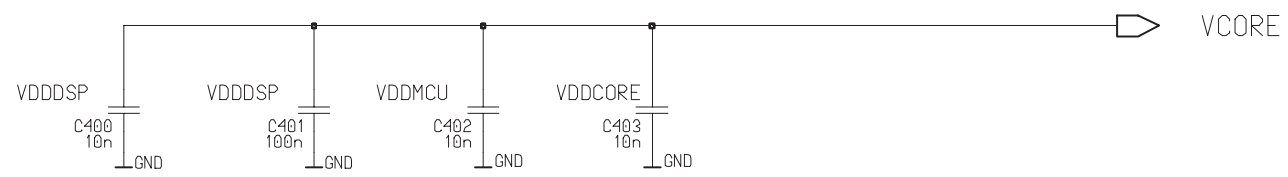
**SIM Reader** (Version 1.3 Edit 48) for layout version 01



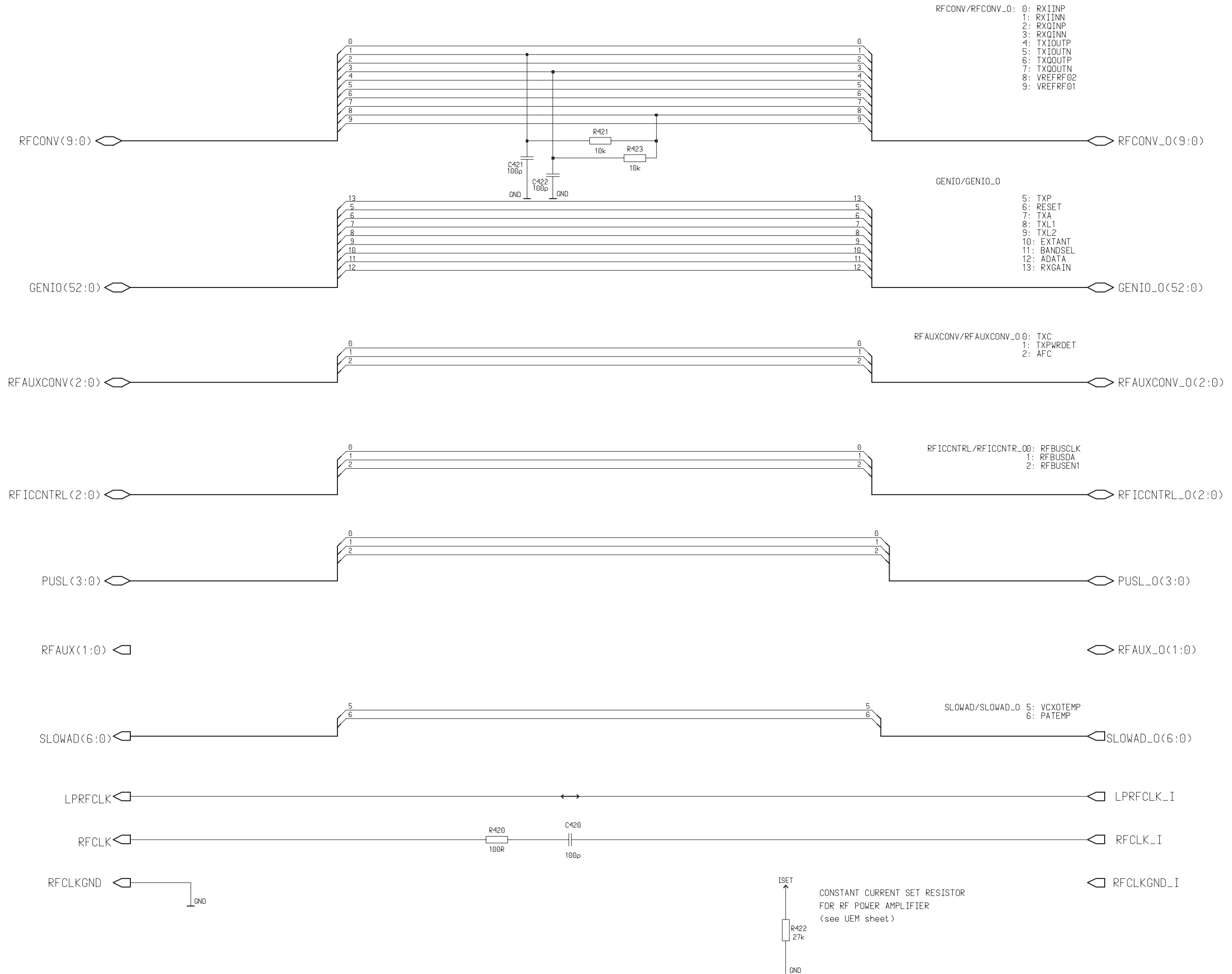
**UPP and decoupling capacitors** (Version 2.0 Edit 91) for layout version 01



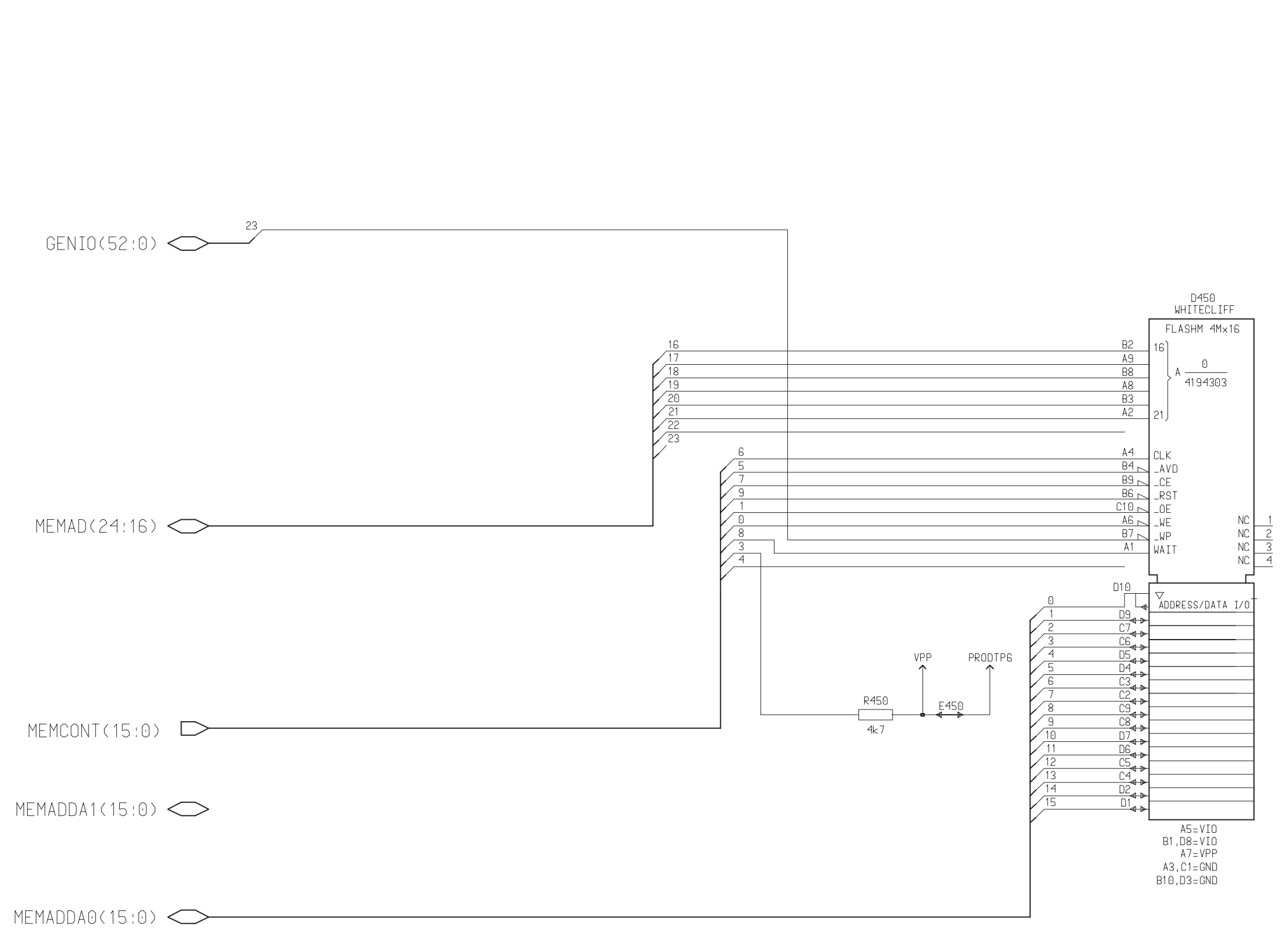
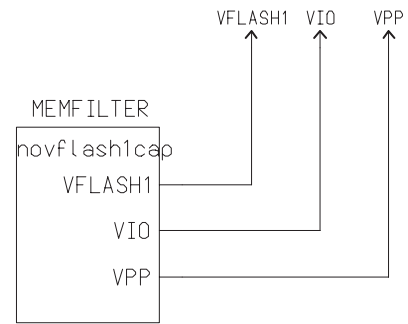
**Discrete capacitors for UPP** (Version 1.3 Edit 10) for layout version 01



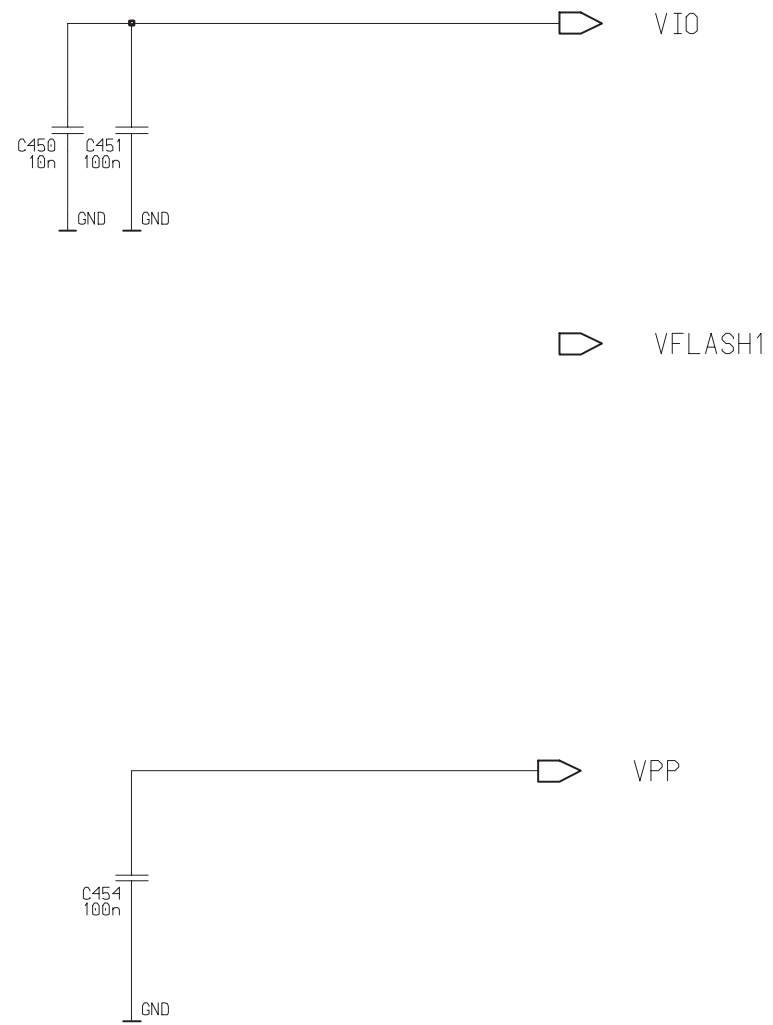
**GSM RF – BB Interface** (Version 1.3 Edit 35) for layout version 01



**Flash Memory** (Version 2.0 Edit 35) for layout version 01



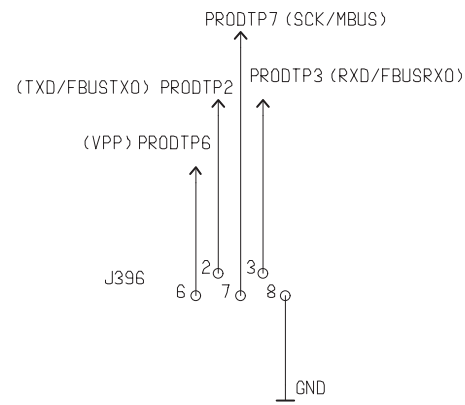
**Discrete capacitors for memory without VFlash1** (Version 1.3 Edit 10) for layout version 01



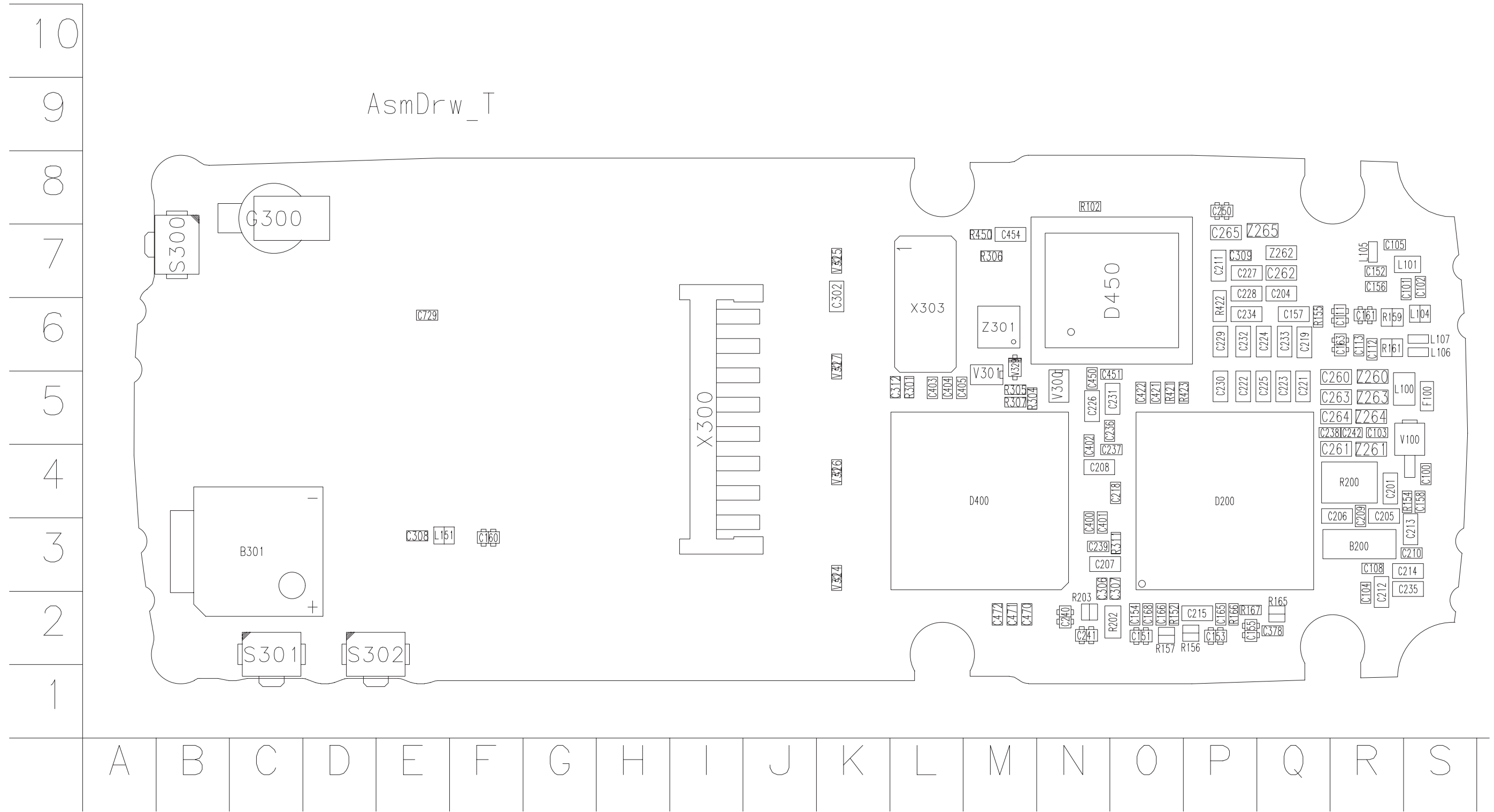


**Test pattern – 5 pin** (Version 2.0 Edit 12) for layout version 01

OUT



Layout Diagram of LA5 – Top (Version 01)

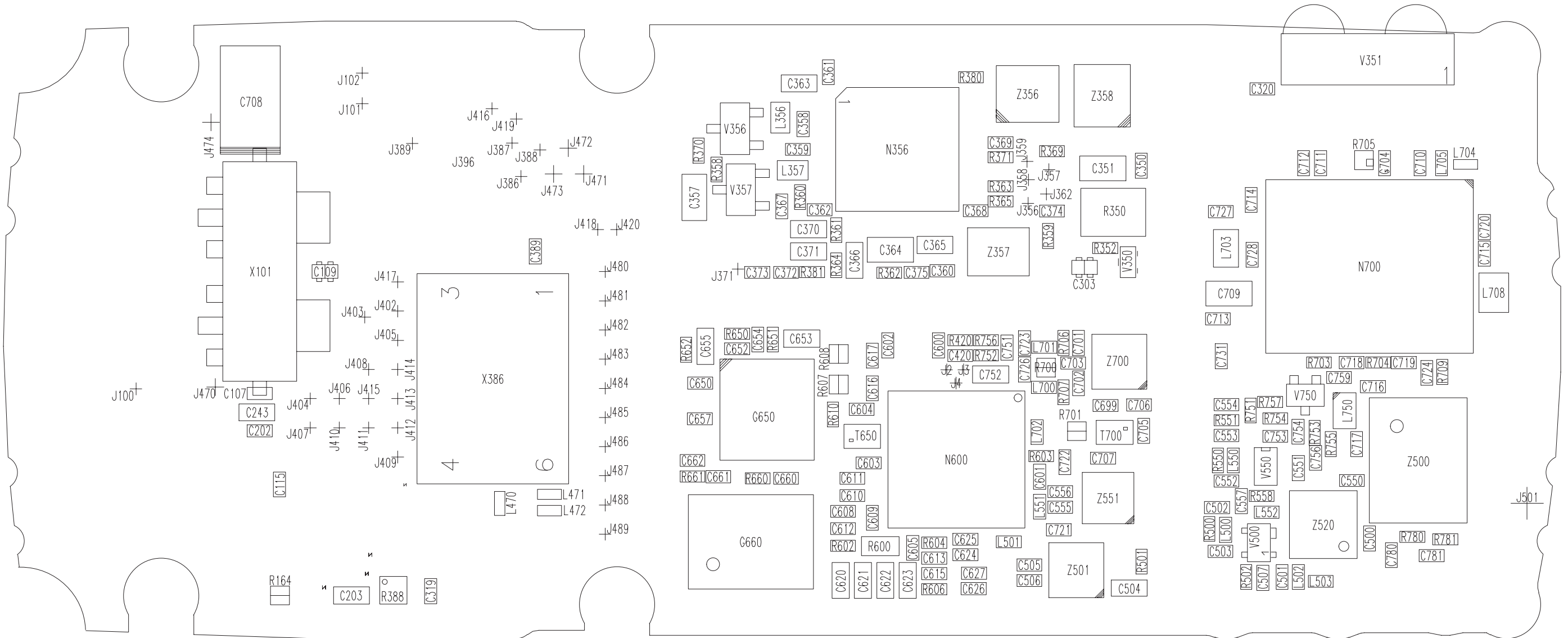


Layout Diagram of LA5 – Bottom (Version 01)

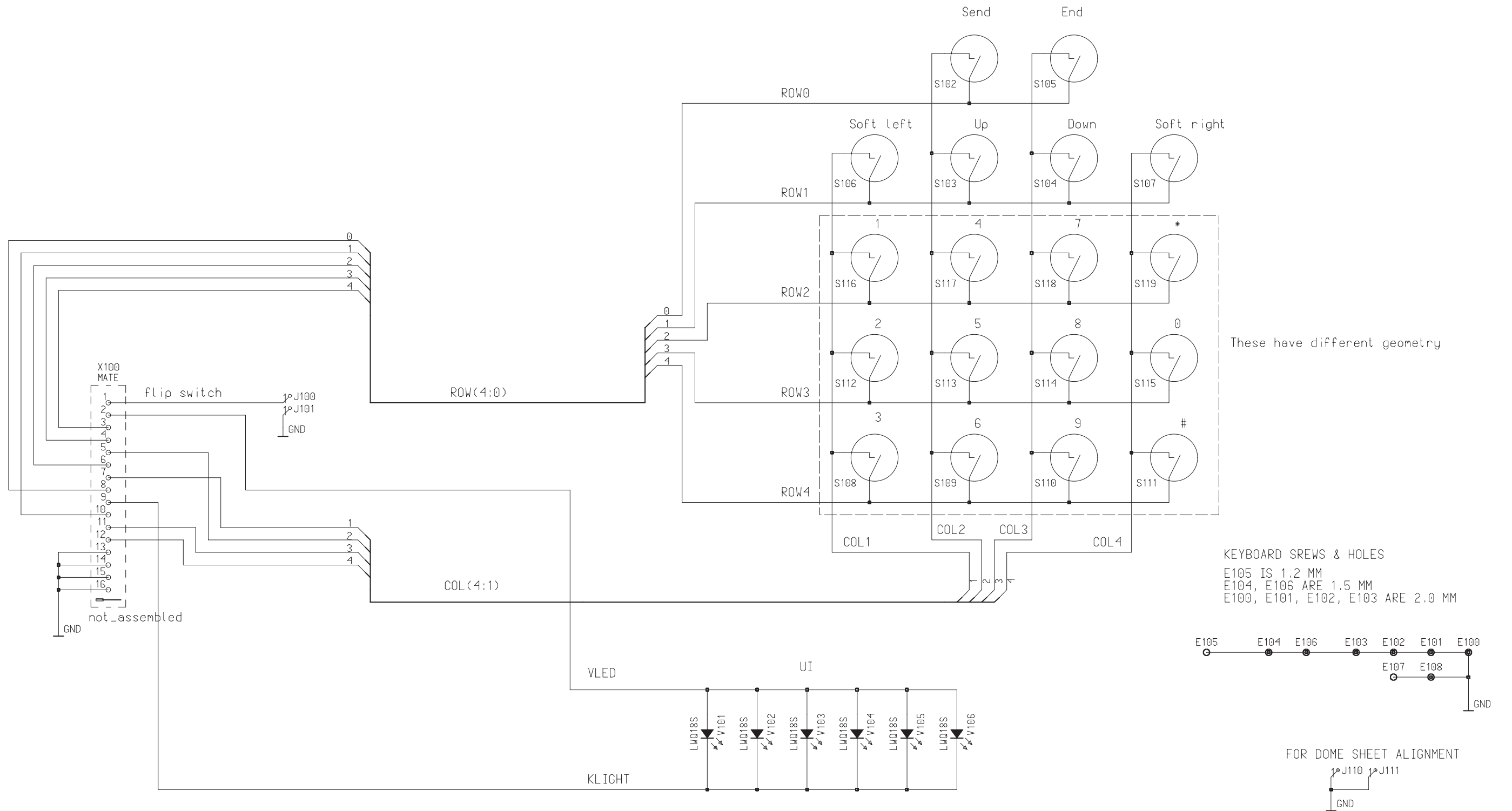
AsmDrw\_B



**Testpoints of LA5 – Bottom** (Version 01)



**UI Board – LU9** for version 11



Layout Diagram – LU9 for version 11

